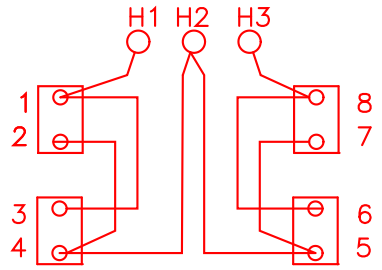
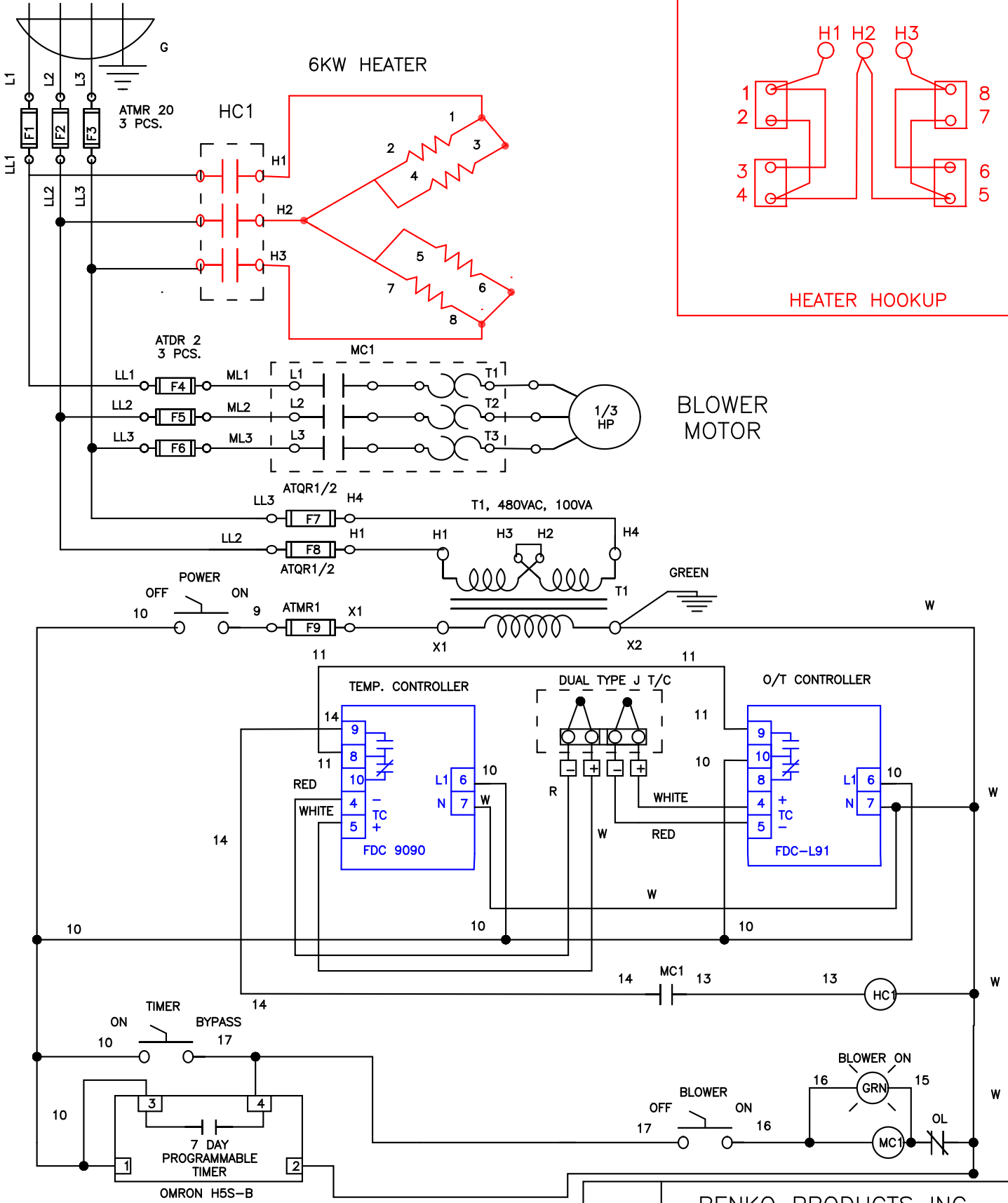


240 VAC, 3PH, 60 HZ



HEATER HOOKUP

BLOWER MOTOR

DATE: 11/13/03	TANNING RESEARCH 240 VAC, 3 PH., NEMA 12	JOB NO. J-131403	Apprvd. R.B.	BENKO PRODUCTS INC. 5350 Evergreen Pkwy, Sheffield Village, Oh 44054
-------------------	---	---------------------	-----------------	---