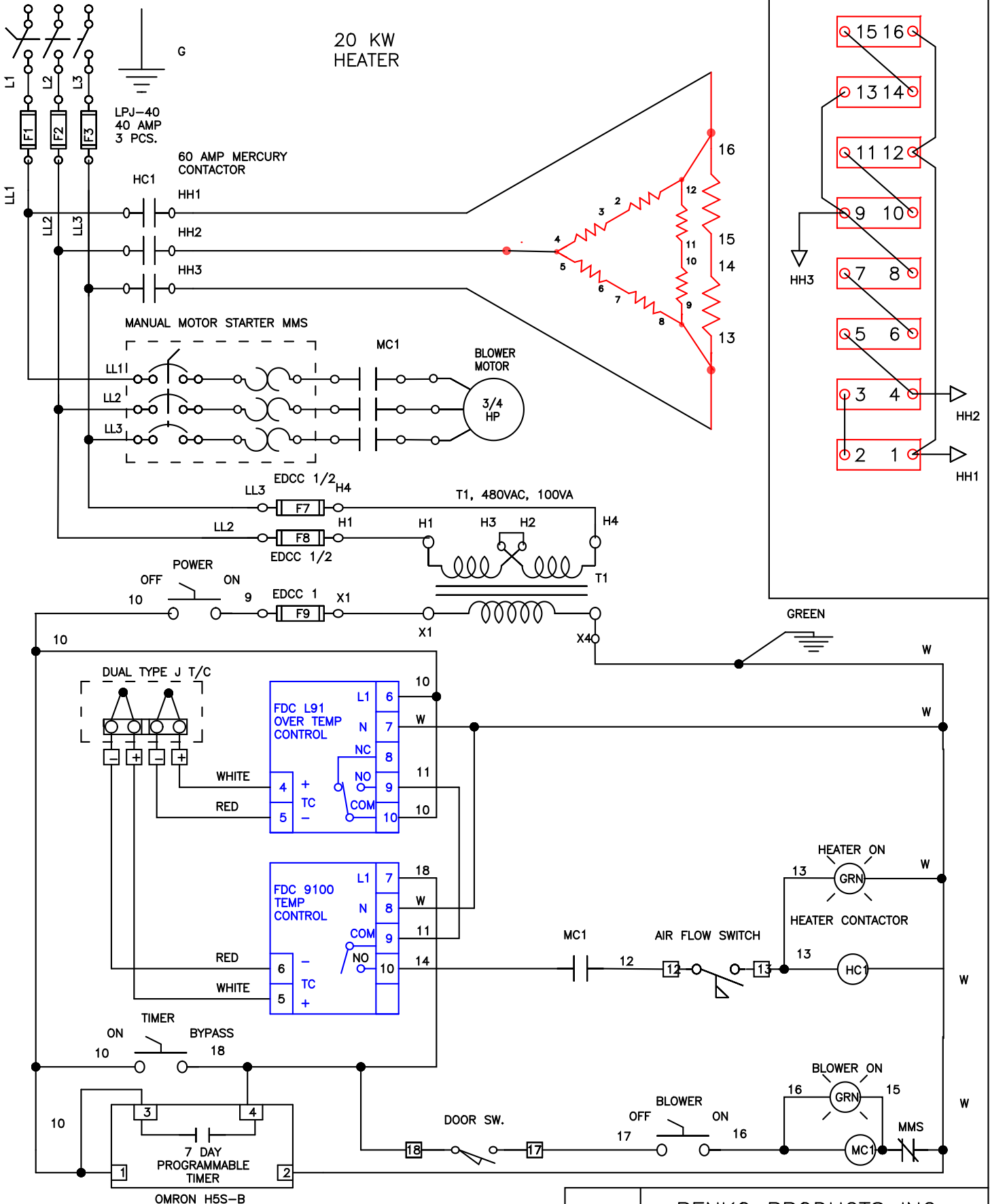


480 VAC, 40 AMP  
3PH, 60 HZ

HEATER HOOKUP

20 KW  
HEATER



GREEN

W

W

W

W

W

DATE:  
01/05/10

MISSION PHARMACAL  
480 VAC, 3 PH., NEMA 12

JOB NO.  
J-123009

Apprvd.  
R.B.

BENKO PRODUCTS INC.  
5350 Evergreen Pkwy, Sheffield Village, Oh 44054