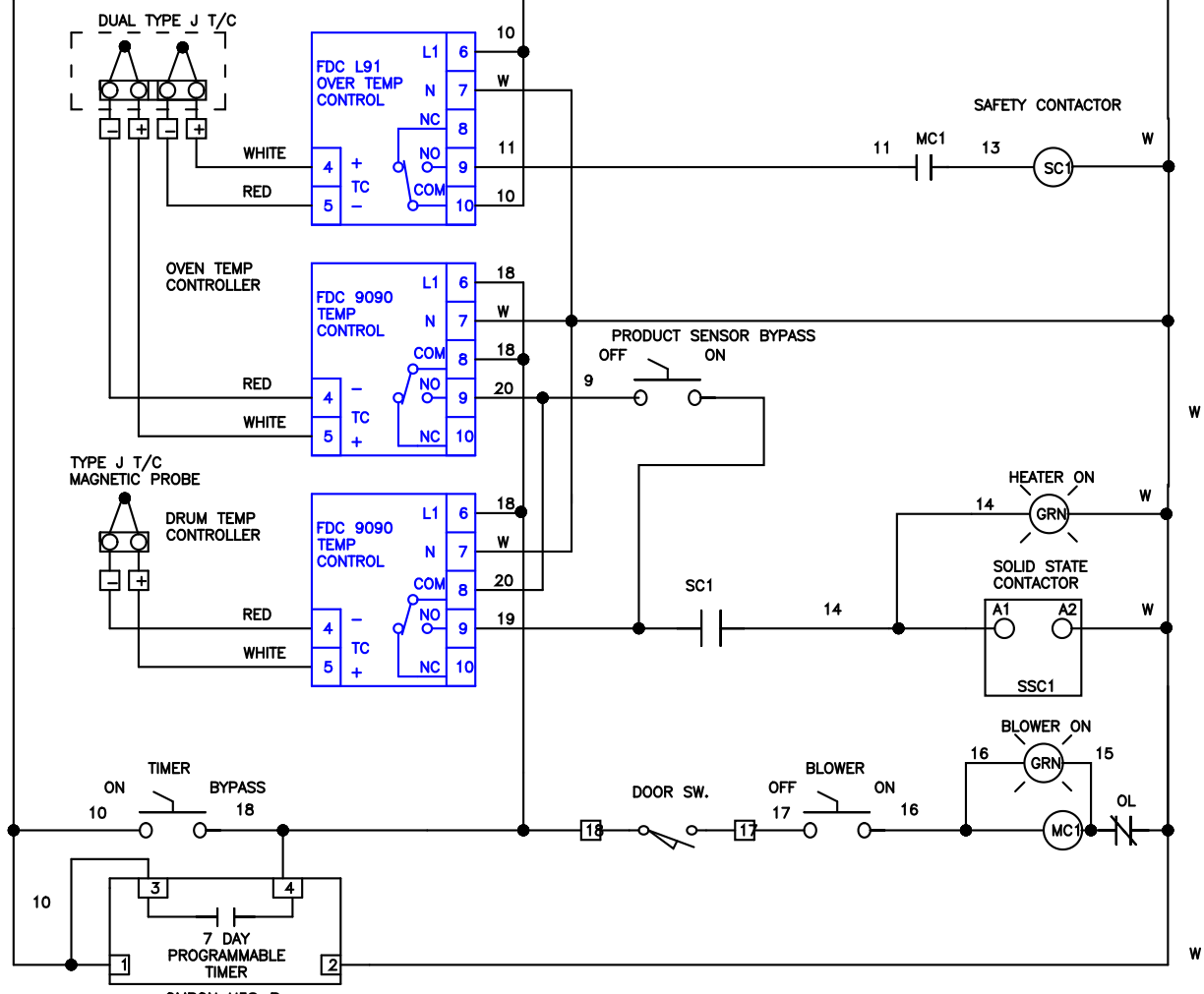
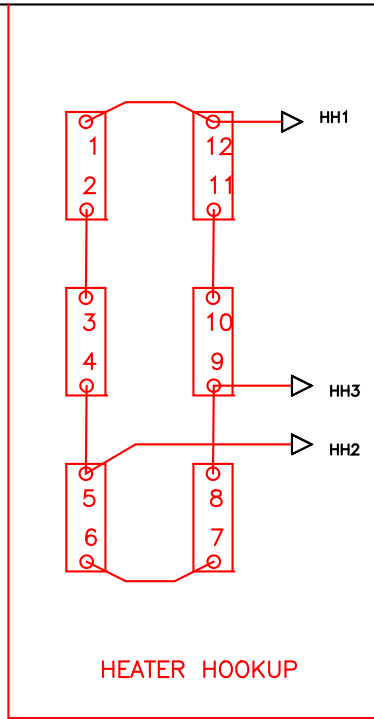
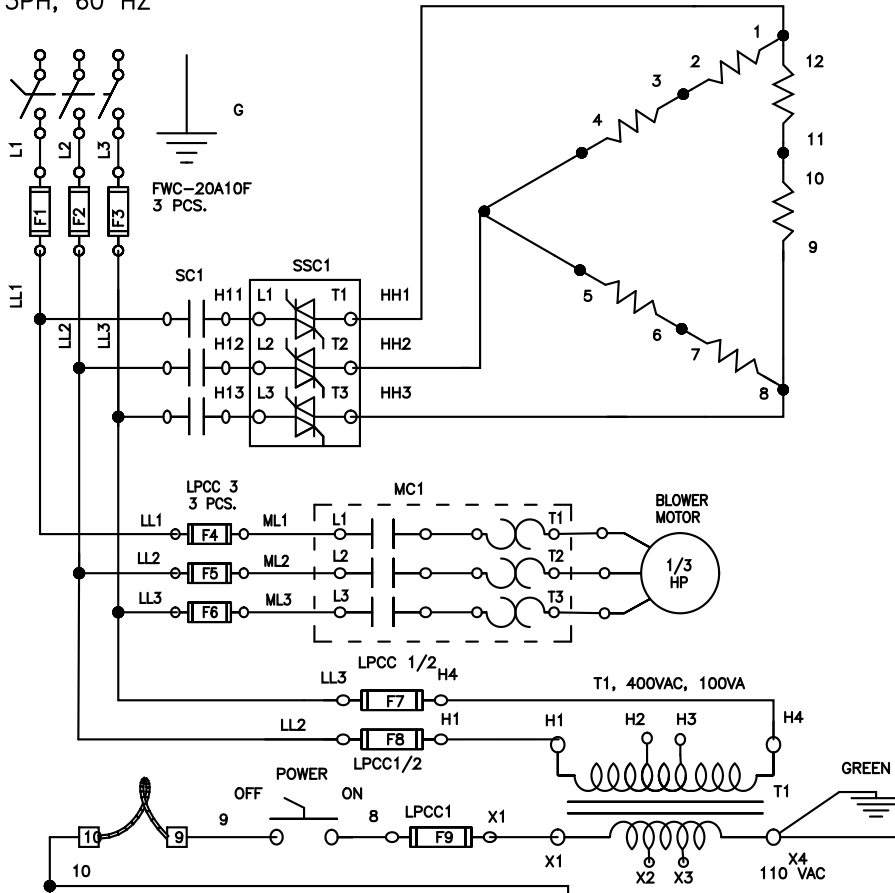


480 VAC, 30 AMP  
3PH, 60 HZ

9KW HEATER



FOR REMOTE SHUTDOWN CONNECTION REMOVE JUMPER BETWEEN TERMINAL 9 AND 10 AND WIRE TO REMOTE CONTACT. 14 AWG YELLOW WIRE RECOMMENDED

DATE:  
06/01/06

SAMSUNG  
400 VAC, 3 PH., NEMA 12

JOB NO.  
J-134905

Apprvd.  
R.B.

BENKO PRODUCTS INC.  
5350 Evergreen Pkwy, Sheffield Village, Oh 44054