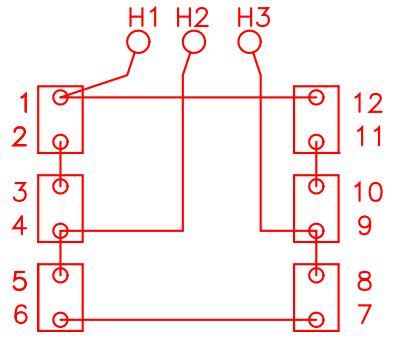
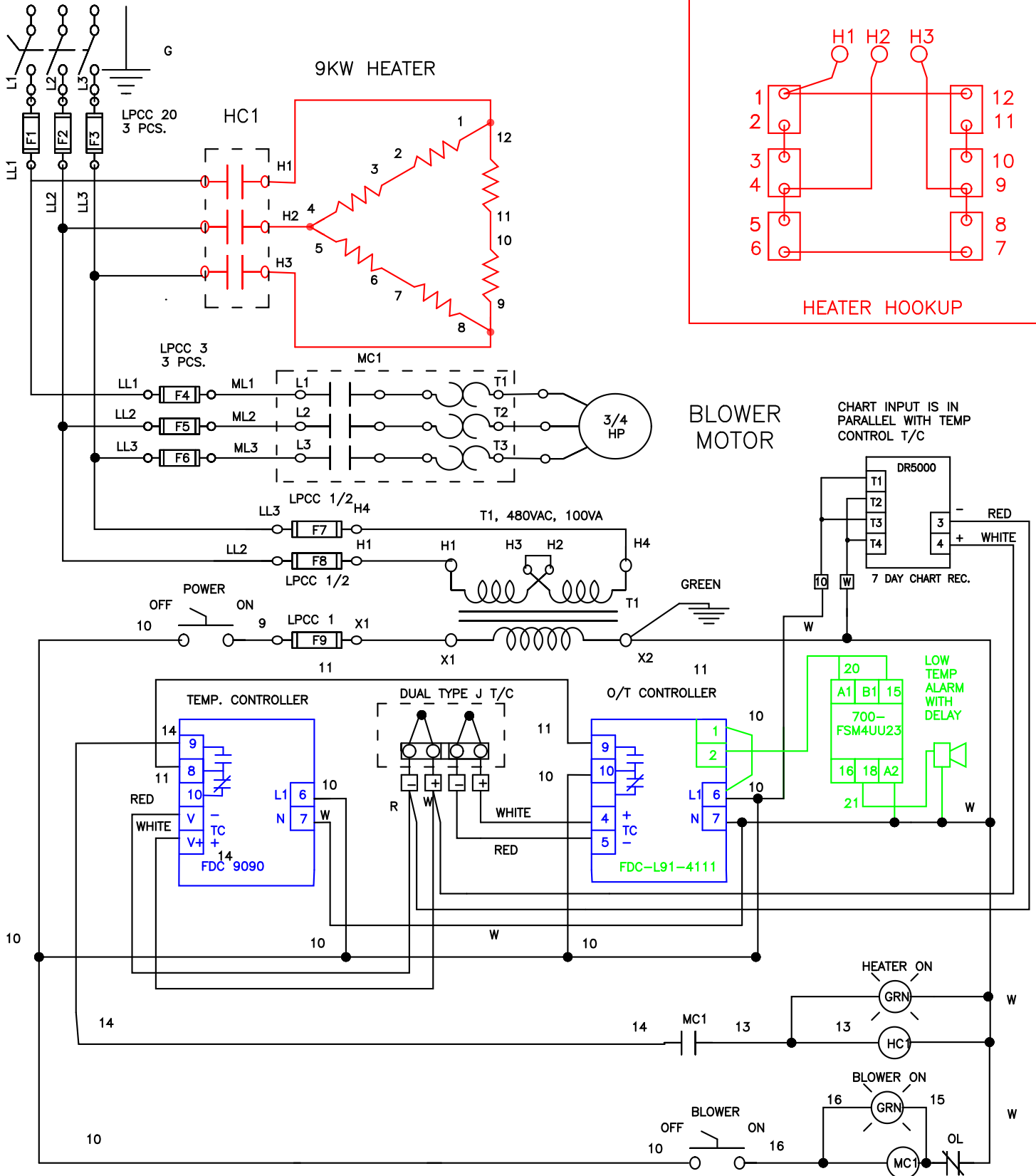
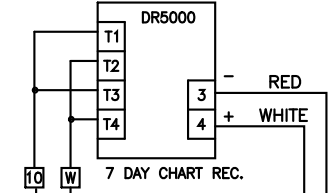


480 VAC, 30 AMP, 3PH, 60 HZ



BLOWER MOTOR

CHART INPUT IS IN PARALLEL WITH TEMP CONTROL T/C



REVISED TO ADD LOW TEMP ALARM WITH DELAY TIMER

DATE:  
08/22/07

CARDINAL  
480 VAC, 3 PH., NEMA 4

JOB NO.  
J-136205

Apprvd.  
R.B.

BENKO PRODUCTS INC.  
5350 Evergreen Pkwy, Sheffield Village, Oh 44054