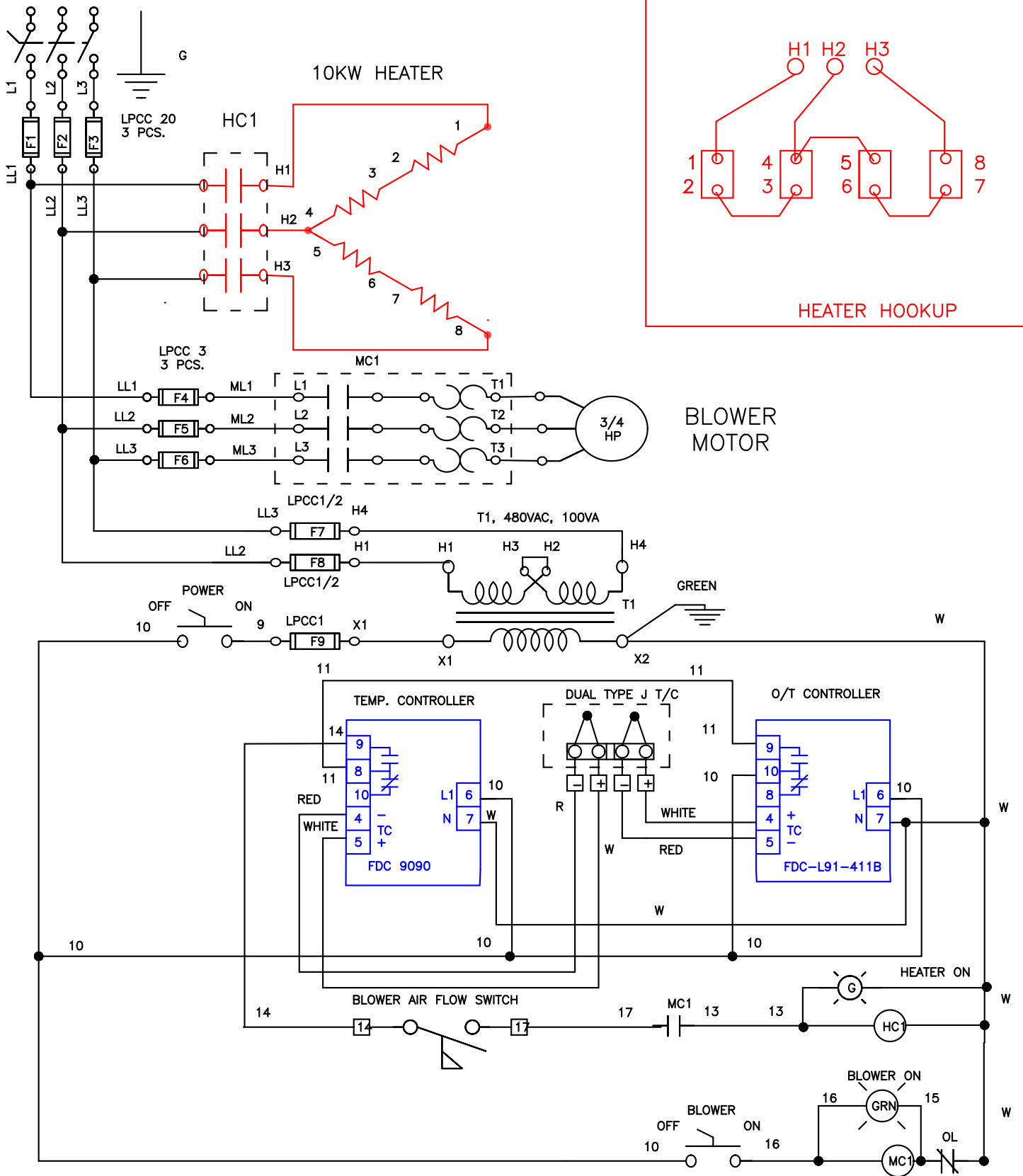


480 VAC, 30AMP, 3PH, 60 HZ



DATE:  
08/31/05

BSN MEDICAL  
480 VAC, 3 PH., NEMA 12

JOB NO.  
J-128005

Apprvd.  
R.B.

BENKO PRODUCTS INC.  
5350 Evergreen Pkwy, Sheffield Village, Oh 44054