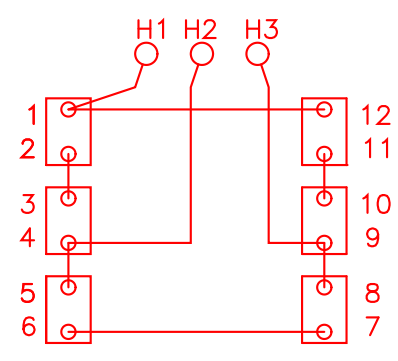
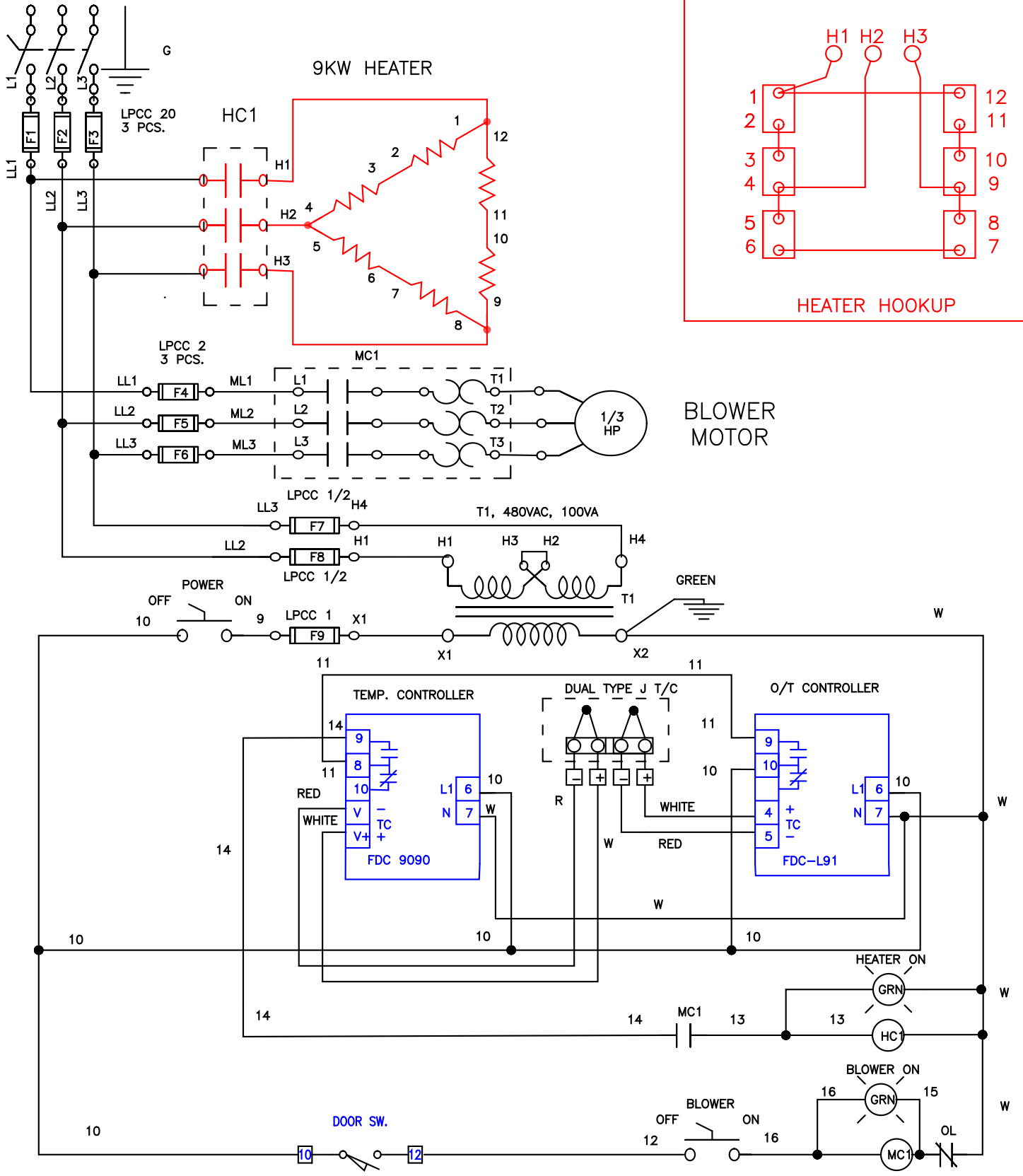


480 VAC, 30 AMP, 3PH, 60 HZ



HEATER HOOKUP

BLOWER MOTOR

DATE: 06/16/05	WAUSAU COATED 480 VAC, 3 PH., NEMA 12	JOB NO. J-119705	Apprvd. R.B.	BENKO PRODUCTS INC. 5350 Evergreen Pkwy, Sheffield Village, Oh 44054
-------------------	--	---------------------	-----------------	---