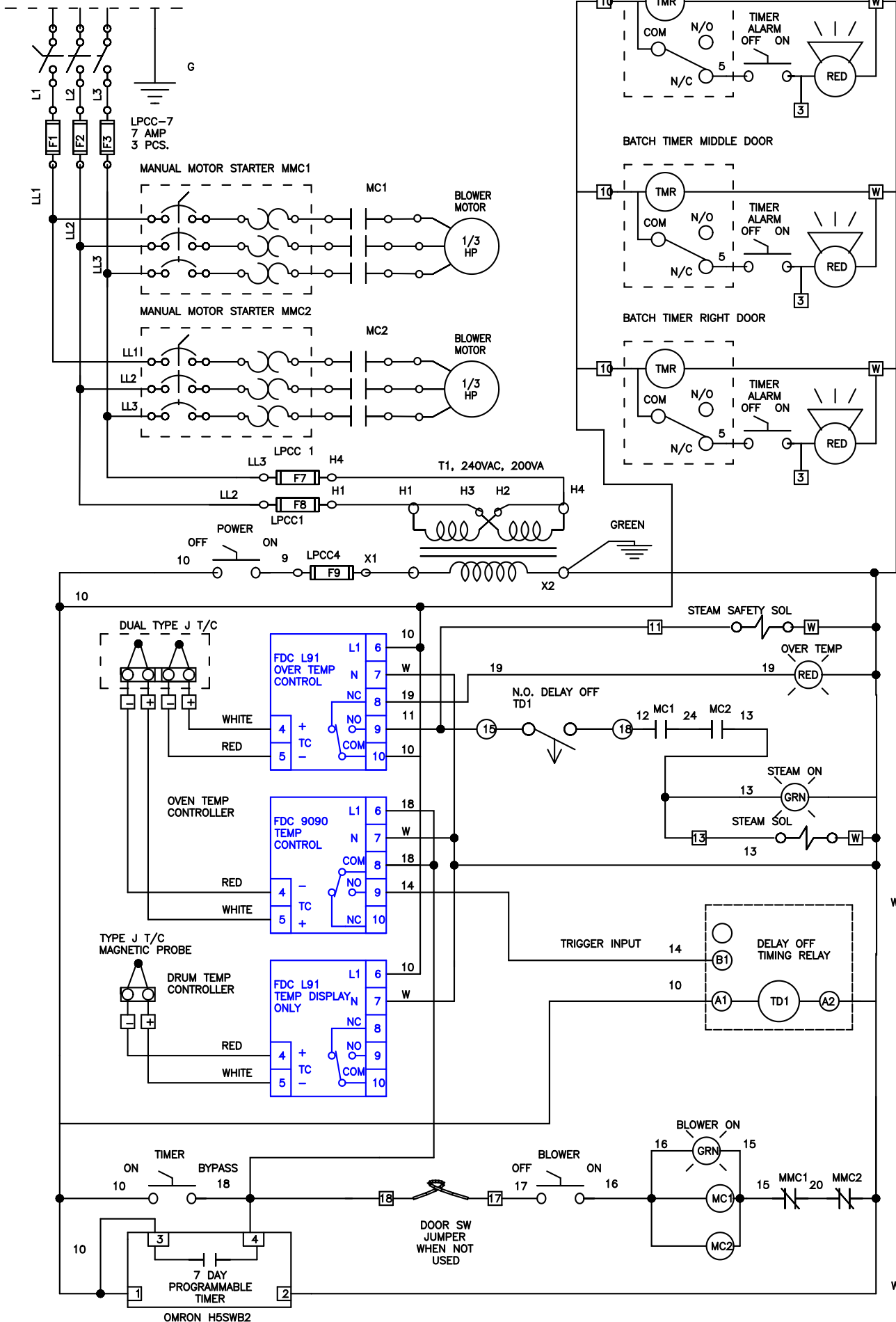


240 VAC, 10 AMP
3PH, 60 HZ



DATE:
06/30/08

DENTSPLY
240 VAC, 3 PH., NEMA 12

JOB NO.
J-114608

Apprvd.
R.B.

BENKO PRODUCTS INC.

5350 Evergreen Pkwy, Sheffield Village, Oh 44054