

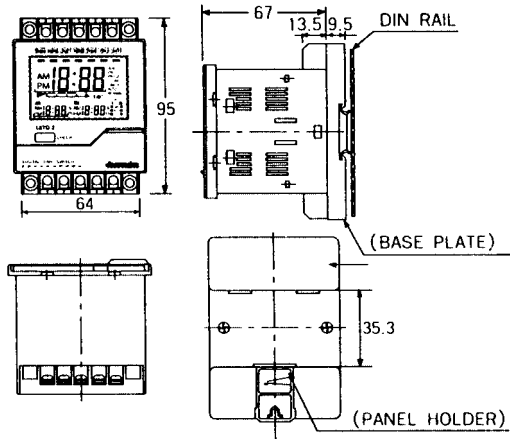
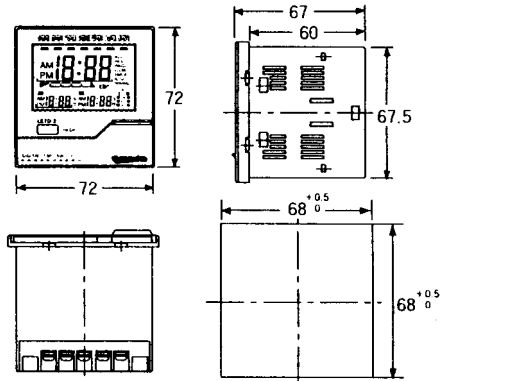
LE7D-2 SERIES



7 Day, Weekly Timer Control



DIMENSIONS MILLIMETERS



FEATURES

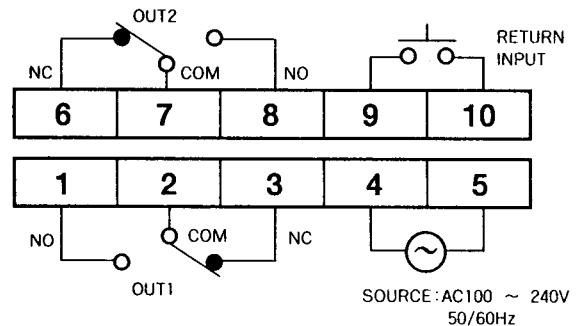
- Each Day Can Be Individually Programmed
- Two (2) Independently Controlled SPDT Relay Outputs
- Up To 24 Independent Programs
- Programmable Output Functions Including Normal ON-OFF Operation, Repetitive Cycle ON-OFF Operation and Pulse Operation
- Programmable Manual or Auto Restart After Power Removal or Failure
- Battery Memory Maintains Actual Time and Programmed Information
- Universal Operating Power 100-240 VAC
- Can Be Panel or DIN Rail Mounted (Din Rail Socket Included)
- Manual Override of Outputs Allows User To Force Them ON or OFF
- Industry Standard 72mm² Case

OPERATION

Model LE7D-2, seven day weekly timer offers a wide range of control flexibility through simple programming for each day individually or repeated for two through seven days. The weekly timer has two independent SPDT relay outputs each of which can be programmed in any of three timing modes. The timer can be front panel, base, or DIN rail mounted with all hardware for the three methods supplied with the unit.

Changes to individual days can be accomplished without the need to reprogram the entire week. A front panel check button allows the user to view the programmed information without affecting the operation. Also, a manual override of the outputs allows the user to force them ON or OFF if required.

WIRING



WEEKLY
TIMER

SPECIFICATIONS

TIME DISPLAY

AM 0:00 to 11:59

PM 0:00 to 11:59

TIME DEVIATION PER MONTH

±15 Seconds

CONTROL SETTINGS

Front Panel Keypad

OPERATING VOLTAGE

100 to 240VAC, 50/60 Hz.

POWER CONSUMPTION

Approx. 3VA @ 100VAC, 5VA @ 240VAC

CONTROL RELAY OUTPUTS

2 Each, SPDT, 5A @ 240VAC

OUTPUT TIMING MODES

ON/OFF Operation

Repeat Cycle ON/OFF

Pulse ON (Set From 1-59 Seconds)

RELAY LIFE

Mechanical: 5 Million @30 Per Minute

Electrical: 100,000 @ 20 Per Minute

MEMORY RETENTION

5 Year Lithium Battery

INSULATION RESISTANCE

Max. 100m Ω @ 500VDC

DIELECTRIC STRENGTH

2,000VAC, 50/60 Hz. For 1 Minute

TEMPERATURE RATING

32° to 120°F (0° to 50°C)

MOUNTING

Front Panel, Base or DIN Rail Mounting Bracket Supplied

TERMINATION

Wire Clamp Screws

FRONT PANEL SIZE

72mm²

ORDERING INFORMATION

The 7 Day Timer has all options programmable and universal 100 to 240VAC input power; therefore, only one model number is required to order: **LE7D-2**